



MARINE TRANSMISSIONS



MARINE TRANSMISSIONS FOR
COMMERCIAL AND PLEASURE APPLICATIONS

Quality and reliability for your vessel

PRODUCT CATALOGUE



2020 - 2022

DMT 25AL

FEATURES

- ✓ Reverse reduction type with hydraulically actuated multi-disc clutches.
- ✓ Suitable for high performance applications in small workboats, fishingboats, etc.
- ✓ Robust design also withstands continuous duty in workboat applications.
- ✓ Fully works tested, reliable and simple to install.
- ✓ Design, manufacture and quality control standards comply with ISO 9001.
- ✓ Compatible with all types of engines and propulsion systems, including waterjets and surface-piercing propellers.
- ✓ Case hardened and precisely ground gear teeth for long life and smooth running.
- ✓ Output shaft thrust bearing designed to take maximum propeller thrust astern and ahead.
- ✓ B/W connection integrated with casing.
- ✓ Smooth and reliable hydraulic shifting with control lever for attachment of push-pull cable.
- ✓ Suitable for twin engine installations.
- ✓ Same torque capacity & ratio in both, ahead and astern.
- ✓ Replaceable oil filter cartridge.

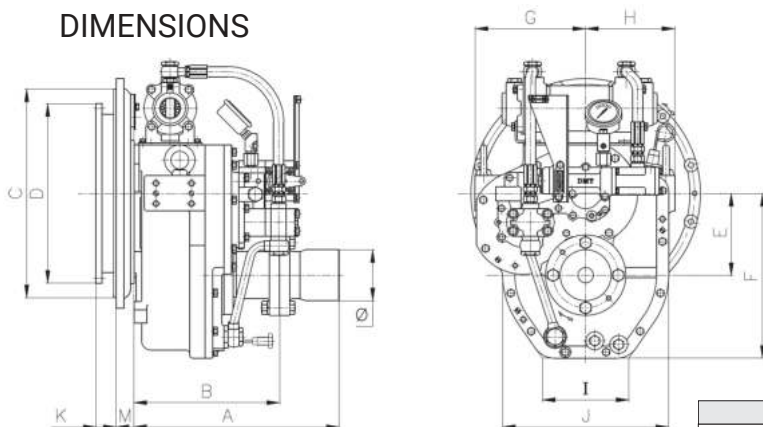


CONTINUOUS DUTY

Model	Reduction	Máx. Torque (Kg,m)	Máx. Input (rpm)	Power/rpm		1800 rpm		2100 rpm		2300 rpm		Dry weight (kg)
				kW	hp	kW	hp	kW	hp	kW	hp	
DMT 25AL	1.64	30	3.500	0.030	0.041	55	73	63	85	70	94	77
DMT 25AL	2.07	30	3.500	0.030	0.041	55	73	63	85	70	94	77
DMT 25AL	2.52	30	3.500	0.030	0.041	55	73	63	85	70	94	77
DMT 25AL	2.96	30	3.500	0.030	0.041	55	73	63	85	70	94	77
DMT 25AL	3.32	30	3.500	0.030	0.041	55	73	63	85	70	94	77



DIMENSIONS



STANDARD EQUIPMENT

- ✓ SAE #5, SAE #4 and SAE #3 bell housings.
- ✓ Engine-matched Rubber Block type coupling.
- ✓ Oil cooler assembly, mounting brackets (plate type for welding).
- ✓ Propeller shaft flange.
- ✓ Control cable bracket and clamp parts for connection of the push-pull cable.

OPTION

- ✓ Trolling valve for slow speed navigation.
- ✓ Electric shifting valve.

Dimension (mm)									
Model	A	B	E	F	G	H	I	J	Ø
DMT 25AL	355	255	118	244	177	135	157	260	72

Model	Housing	Driving ring	C	D	M (1)	M (2)	K
DMT 25AL	SAE #3	11.5"	409	352	35	-	39
DMT 25AL	SAE #4	10"	361	314	30	-	53
DMT 25AL	SAE #4	7.5"	361	241	30	-	30
DMT 25AL	SAE #5	7.5"	314	241	24	-	30

M(1) : Standard Coupling Dimension, M(2) : High Flexible Coupling Dimension

APPLICATION BELL HOUSING

N°	Housing	Driving ring	K	M		
			Standard	Rubber Block Type	Dual Stage Type	Centa Flexible Type
1	SAE#3	11.5"	39.6	34	-	-
2	SAE#4	7.5"	30.2	30	-	-
3	SAE#4	10"	53.8	30	-	-
4	SAE#5	7.5"	30.2	24	-	-

DMT 50A

FEATURES

- ✓ Reverse reduction type with hydraulically actuated multi-disc clutches.
- ✓ Cast-iron case, vertical offset and direct mounting.
- ✓ Same torque capacity & ratio in both, ahead and astern.
- ✓ Easy maintenance & robust design.
- ✓ Precisely ground gear teeth for long life and smooth operating.
- ✓ "Go home" function in an emergency.
- ✓ Various applications: for pleasure, light, medium and continuous duty.
- ✓ Strictly quality control by complying with ISO 9001.

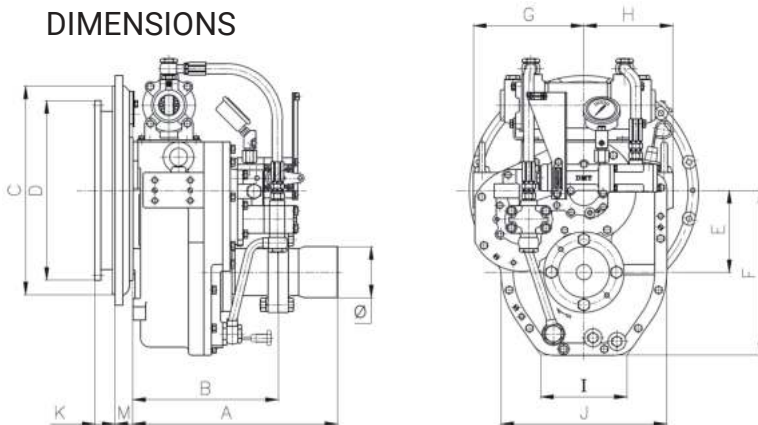


CONTINUOUS DUTY

Model	Reduction	Máx. Torque (Kg,m)	Máx. Input (rpm)	Power/rpm		1800 rpm		2100 rpm		2300 rpm		Dry weight (kg)
				kW	hp	kW	hp	kW	hp	kW	hp	
DMT 50A	1.61	55	3000	0.056	0.075	101	136	118	158	129	173	143
DMT 50A	2.06	55	3000	0.056	0.075	101	136	118	158	129	173	143
DMT 50A	2.45	55	3000	0.056	0.075	101	136	118	158	129	173	143
DMT 50A	2.82	55	3000	0.056	0.075	101	136	118	158	129	173	143
DMT 50A	3.12	55	3000	0.056	0.075	101	136	118	158	129	173	143
DMT 50A	3.46	55	3000	0.056	0.075	101	136	118	158	129	173	143



DIMENSIONS



STANDARD EQUIPMENT

- ✓ SAE #4, SAE #3, SAE #2 and SAE #1 bell housings.
- ✓ Engine-matched dual stage coupling.
- ✓ Oil cooler assembly.
- ✓ Mounting brackets (plate type for welding).
- ✓ Propeller shaft flange.
- ✓ Control cable bracket and clamp parts for connection of the push-pull cable.

OPTION

- ✓ Trolling valve for slow speed navigation.
- ✓ Electric shifting valve.

Model	Dimension (mm)								
	A	B	E	F	G	H	I	J	Ø
DMT 50A	403	286	160	323	217	175	170	326	100

Model	Housing	Driving ring	C	D	M (1)	M (2)	K
DMT 50A	SAE#1	14"	511	466	75	-	25
DMT 50A	SAE#2	11.5"	447	325	35	-	39
DMT 50A	SAE#3	11.5"	409	325	35	-	39
DMT 50A	SAE#4	10"	361	314	50	-	53

M(1) : Standard Coupling Dimension, M(2) : High Flexible Coupling Dimension

APPLICATION BELL HOUSING

N°	Housing	Driving ring	M			
			K	Rubber Block Type	Dual Stage Type	Centa Flexible Type
1	SAE#1	14"	25.4	-	75	-
2	SAE#2	11.5"	39.6	-	35	-
3	SAE#3	11.5"	39.6	-	35	-
4	SAE#4	10"	53.8	50	-	-

DMT 90A

FEATURES

- ✓ Reverse reduction type with hydraulically actuated multi-disc clutches.
- ✓ Cast-iron case, vertical offset and direct mounting.
- ✓ Same torque capacity & ratio in both, ahead and astern.
- ✓ Easy maintenance & robust design.
- ✓ Precisely ground gear teeth for long life and smooth operating.
- ✓ "Go home" function in an emergency.
- ✓ Various applications: for pleasure, light, medium and continuous duty.
- ✓ Strictly quality control by complying with ISO 9001.
- ✓ CCS.

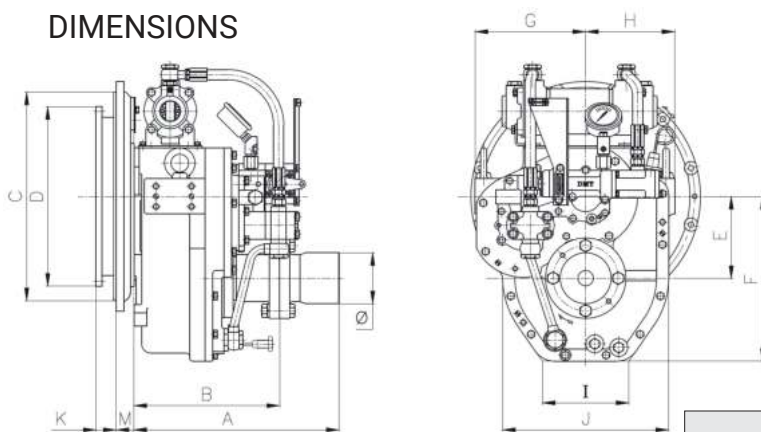


CONTINUOUS DUTY

Model	Reduction	Máx. Torque (Kg,m)	Máx. Input (rpm)	Power/rpm		1800 rpm		2100 rpm		2300 rpm		Dry weight (kg)
				kW	hp	kW	hp	kW	hp	kW	hp	
DMT 90A	1.61	87	3000	0.089	0.120	161	216	188	252	205	276	159
DMT 90A	2.06	87	3000	0.089	0.120	161	216	188	252	205	276	159
DMT 90A	2.45	87	3000	0.089	0.120	161	216	188	252	205	276	159
DMT 90A	2.82	87	3000	0.089	0.120	161	216	188	252	205	276	159
DMT 90A	3.12	87	3000	0.089	0.120	161	216	188	252	205	276	159
DMT 90A	3.46	87	3000	0.089	0.120	161	216	188	252	205	276	159



DIMENSIONS



STANDARD EQUIPMENT

- ✓ SAE #3, SAE #2 and SAE #1 bell housings.
- ✓ Engine-matched dual stage coupling.
- ✓ Oil cooler assembly.
- ✓ Mounting brackets (plate type for welding).
- ✓ Propeller shaft flange.
- ✓ Control cable bracket and clamp parts for connection of the push-pull cable.

OPTION

- ✓ Trolling valve for slow speed navigation.
- ✓ Electric shifting valve.

Model	Dimension (mm)								
	A	B	E	F	G	H	I	J	Ø
DMT 90A	471	325	160	323	228	175	170	326	120

Model	Housing	Driving ring	C	D	M (1)	M (2)	K
DMT 90A	SAE#1	14"	511	466	75	-	25
DMT 90A	SAE#2	11.5"	447	325	35	-	39
DMT 90A	SAE#3	11.5"	409	325	35	-	39

M(1) : Standard Coupling Dimension, M(2) : High Flexible Coupling Dimension

APPLICATION BELL HOUSING

N°	Housing	Driving ring	M			
			K	Rubber Block Type	Dual Stage Type	Centa Flexible Type
1	SAE#1	14"	25.4	-	75	-
2	SAE#2	11.5"	39.6	-	35	-
3	SAE#3	11.5"	39.6	-	35	-

DMT 100IV

FEATURES

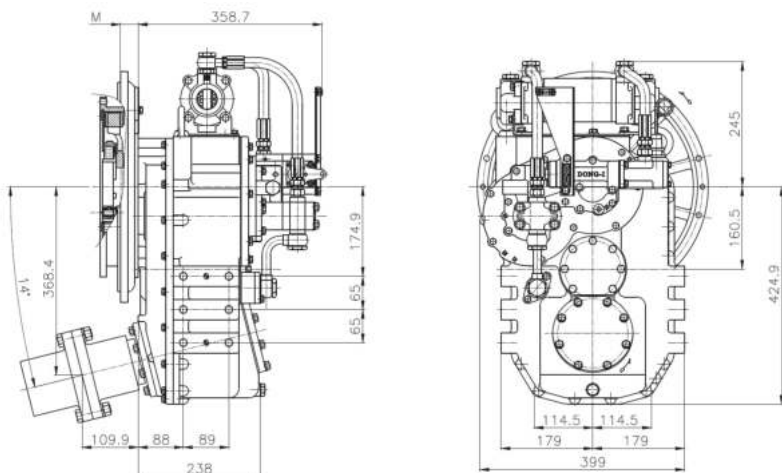
- ✓ Lightweight design; made of highly resistant, anticorrosion aluminium.
- ✓ Possible to remote control by the shifting valve (mechanical & electric).
- ✓ Engine efficiency increase by applying Conical Gear (14°).
- ✓ Easy to maintain by moving engine installation space.
- ✓ Developed under ISO 9001 quality system.
- ✓ Designed based on DNV & ISO 6336.
- ✓ Suitable for surface drive and propeller shaft type for high-speed propulsion system.
- ✓ Wide space usage by efficient vessel design.



CONTINUOUS DUTY

Model	Reduction	Máx. Torque (Kg.m)	Máx. Input (rpm)	Power/rpm		1800 rpm		2100 rpm		2300 rpm		Dry weight (kg)
				kW	hp	kW	hp	kW	hp	kW	hp	
DMT 100IV	1.21	103	4000	0.105	0.141	190	255	222	297	243	326	150
DMT 100IV	1.54	103	4000	0.105	0.141	190	255	222	297	243	326	150
DMT 100IV	1.84	103	4000	0.105	0.141	190	255	222	297	243	326	150
DMT 100IV	2.12	103	4000	0.105	0.141	190	255	222	297	243	326	150
DMT 100IV	2.52	103	4000	0.105	0.141	190	255	222	297	243	326	150

DIMENSIONS



STANDARD EQUIPMENT

- ✓ SAE #4, SAE #3 and SAE #2 bell housings.
- ✓ Engine-matched rubber block type coupling.
- ✓ Oil cooler assembly.
- ✓ Mounting brackets (plate type for welding).
- ✓ Propeller shaft flange.
- ✓ Control cable bracket and clamp parts for connection of the push-pull cable.

OPTION

- ✓ Trolling valve for slow speed navigation.
- ✓ Electric shifting valve.

Model	Housing	Driving ring	C	D	M (1)	M (2)	K
DMT 100IV	SAE#2	11.5"	447	325	35	-	39
DMT 100IV	SAE#3	11.5"	409	325	35	-	39
DMT 100IV	SAE#4	10"	361	314	50	-	53

M(1) : Standard Coupling Dimension, M(2) : High Flexible Coupling Dimension

APPLICATION BELL HOUSING

N°	Housing	Driving ring	M			
			K	Rubber Block Type	Dual Stage Type	Centa Flexible Type
1	SAE#2	11.5"	39.6	-	35	-
2	SAE#3	11.5"	39.6	-	35	-
3	SAE#4	10"	53.8	50	-	-

DMT 100HL

FEATURES

- ✓ Reverse reduction type with hydraulically actuated multi-disc clutches.
- ✓ Cast-iron case, vertical offset and direct mounting.
- ✓ Same torque capacity & ratio in both, ahead and astern.
- ✓ Easy maintenance & robust design.
- ✓ Precisely ground gear teeth for long life and smooth operating.
- ✓ "Go home" function in an emergency.
- ✓ Various applications: for pleasure, light, medium and continuous duty.
- ✓ Strictly quality control by complying with ISO 9001.

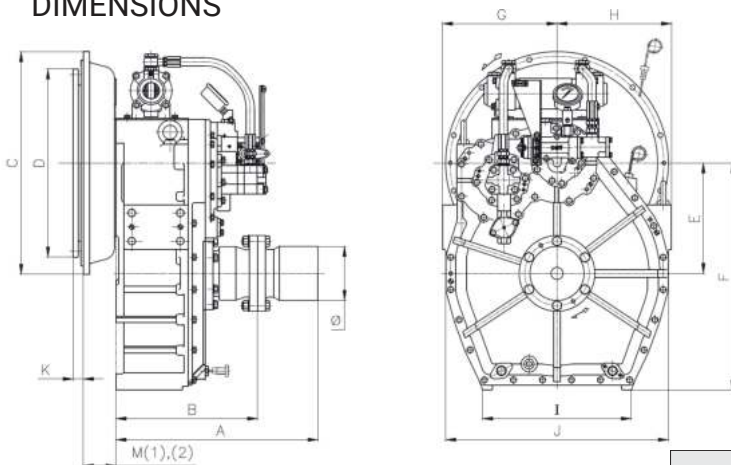


CONTINUOUS DUTY

Model	Reduction	Máx. Torque (Kg.m)	Máx. Input (rpm)	Power/rpm		1800 rpm		2100 rpm		2300 rpm		Dry weight (kg)
				kW	hp	kW	hp	kW	hp	kW	hp	
DMT 100HL	4.07	89	3000	0.091	0.122	164	219	191	256	209	281	263
DMT 100HL	4.50	89	3000	0.091	0.122	164	219	191	256	209	281	263
DMT 100HL	4.95	89	3000	0.091	0.122	164	219	191	256	209	281	263
DMT 100HL	5.29	86	3000	0.088	0.118	158	213	185	248	202	272	263
DMT 100HL	5.95	75	3000	0.076	0.103	138	185	161	216	176	236	263



DIMENSIONS



STANDARD EQUIPMENT

- ✓ SAE #3, SAE #2 and SAE #1 bell housings.
- ✓ Engine-matched dual stage coupling.
- ✓ Oil cooler assembly.
- ✓ Mounting brackets (plate type for welding).
- ✓ Propeller shaft flange.
- ✓ Control cable bracket and clamp parts for connection of the push-pull cable.

OPTION

- ✓ Trolling valve for slow speed navigation.
- ✓ Electric shifting valve.

Dimension (mm)									
Model	A	B	E	F	G	H	I	J	Ø
DMT 100HL	501	351	274	563	284	284	370	552	134

Model	Housing	Driving ring	C	D	M (1)	M (2)	K
DMT 100HL	SAE#1	14"	511	466	81	-	25
DMT 100HL	SAE#2	11.5"	447	352	44	-	39
DMT 100HL	SAE#3	11.5"	409	352	44	-	39

M(1) : Standard Coupling Dimension, M(2) : High Flexible Coupling Dimension

APPLICATION BELL HOUSING

N°	Housing	Driving ring	M			
			K	Rubber Block Type	Dual Stage Type	Centa Flexible Type
1	SAE#1	14"	25.4	-	81	-
2	SAE#2	11.5"	39.6	-	44.5	-
3	SAE#3	11.5"	39.6	-	44.5	-

DMT 110A

FEATURES

- ✓ Reverse reduction type with hydraulically actuated multi-disc clutches.
- ✓ Cast-iron case, vertical offset and direct mounting.
- ✓ Same torque capacity & ratio in both, ahead and astern
- ✓ Easy maintenance & robust design.
- ✓ Precisely ground gear teeth for long life and smooth operating.
- ✓ "Go home" function in an emergency.
- ✓ Various applications: for pleasure, light, medium and continuous duty.
- ✓ Strictly quality control by complying with ISO 9001.

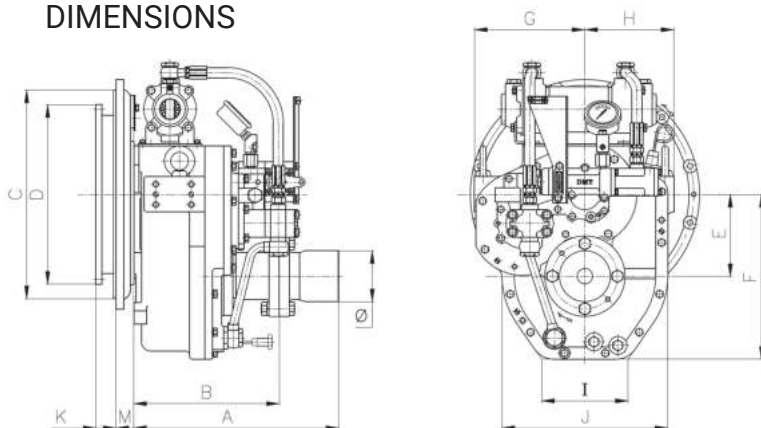


CONTINUOUS DUTY

Model	Reduction	Máx. Torque (Kg.m)	Máx. Input (rpm)	Power/rpm		1800 rpm		2100 rpm		2300 rpm		Dry weight (kg)
				kW	hp	kW	hp	kW	hp	kW	hp	
DMT 110A	1.77	110	2800	0.112	0.151	202	272	236	317	259	348	212
DMT 110A	2.09	110	2800	0.112	0.151	202	272	236	317	259	348	212
DMT 110A	2.42	110	2800	0.112	0.151	202	272	236	317	259	348	212
DMT 110A	2.82	110	2800	0.112	0.151	202	272	236	317	259	348	212
DMT 110A	3.19	110	2800	0.112	0.151	202	272	236	317	259	348	212
DMT 110A	3.81	110	2800	0.112	0.151	202	272	236	317	259	348	212



DIMENSIONS



STANDARD EQUIPMENT

- ✓ SAE #3, SAE #2 and SAE #1 bell housings.
- ✓ Engine-matched dual stage coupling.
- ✓ Oil cooler assembly.
- ✓ Mounting brackets (plate type for welding).
- ✓ Propeller shaft flange.
- ✓ Control cable bracket and clamp parts for connection of the push-pull cable.

OPTION

- ✓ Trolling valve for slow speed navigation.
- ✓ Electric shifting valve.

Model	Dimension (mm)								
	A	B	E	F	G	H	I	J	Ø
DMT 110A	487	335	195	388	249	197	224	386	140

Model	Housing	Driving ring	C	D	M (1)	M (2)	K
DMT 110A	SAE#1	14"	511	466	75	-	25
DMT 110A	SAE#2	11.5"	447	325	35	-	39
DMT 110A	SAE#3	11.5"	409	325	35	-	39

APPLICATION BELL HOUSING

M(1) : Standard Coupling Dimension, M(2) : High Flexible Coupling Dimension

N°	Housing	Driving ring	K		M	
			Standard	Rubber Block Type	Dual Stage Type	Centa Flexible Type
1	SAE#1	14"	25.4	-	75	-
2	SAE#2	11.5"	39.6	-	35	-
3	SAE#3	11.5"	39.6	-	35	-

DMT 135HL

FEATURES

- ✓ Reverse reduction type with hydraulically actuated multi-disc clutches.
- ✓ Cast-iron case, vertical offset and direct mounting.
- ✓ Same torque capacity & ratio in both, ahead and astern.
- ✓ Easy maintenance & robust design.
- ✓ Precisely ground gear teeth for long life and smooth operating.
- ✓ "Go home" function in an emergency.
- ✓ Various applications: for pleasure, light, medium and continuous duty.
- ✓ Strictly quality control by complying with ISO 9001.

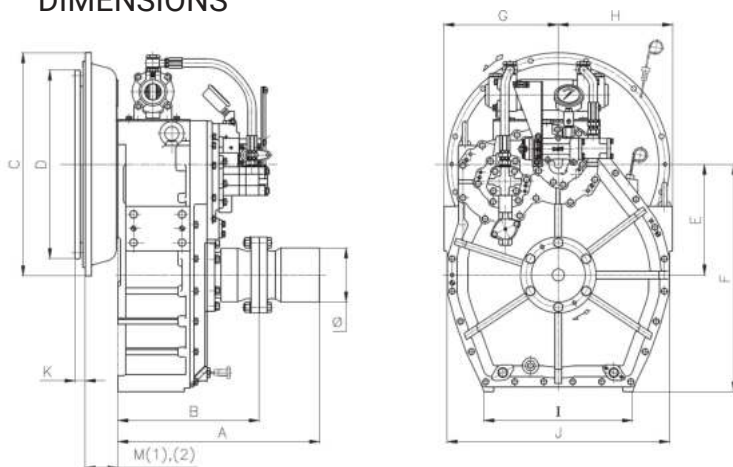


CONTINUOUS DUTY

Model	Reduction	Máx. Torque (Kg,m)	Máx. Input (rpm)	Power/rpm		1800 rpm		2100 rpm		2300 rpm		Dry weight (kg)
				kW	hp	kW	hp	kW	hp	kW	hp	
DMT 135HL	4.07	131	2800	0.134	0.180	241	324	282	378	309	415	293
DMT 135HL	4.50	125	2800	0.128	0.172	230	309	269	361	295	396	293
DMT 135HL	4.95	115	2800	0.118	0.158	214	287	249	334	272	365	263



DIMENSIONS



STANDARD EQUIPMENT

- ✓ SAE #3, SAE #2 and SAE #1 bell housings.
- ✓ Engine-matched dual stage coupling.
- ✓ Oil cooler assembly.
- ✓ Mounting brackets (plate type for welding).
- ✓ Propeller shaft flange.
- ✓ Control cable bracket and clamp parts for connection of the push-pull cable.

OPTION

- ✓ Dual stage input coupling (noise and vibration reduction).
- ✓ Hi flexible input coupling.
- ✓ Trolling valve for slow speed navigation.
- ✓ Electric shifting valve.

Dimension (mm)									
Model	A	B	E	F	G	H	I	J	Ø
DMT 135HL	503	351	274	563	284	284	370	552	148

Model	Housing	Driving ring	C	D	M (1)	M (2)	K
DMT 135HL	SAE#1	14"	511	466	81	-	25
DMT 135HL	SAE#2	11.5"	447	352	44	-	39
DMT 135HL	SAE#3	11.5"	409	352	44	-	39

M(1) : Standard Coupling Dimension, M(2) : High Flexible Coupling Dimension

APPLICATION BELL HOUSING

N°	Housing	Driving ring	M			
			K	Rubber Block Type	Dual Stage Type	Centa Flexible Type
1	SAE#1	14"	25.4	-	81	-
2	SAE#2	11.5"	39.6	-	44.5	-
3	SAE#3	11.5"	39.6	-	44.5	-

DMT 140H

FEATURES

- ✓ Reverse reduction type with hydraulically actuated multi-disc clutches.
- ✓ Cast-iron case, vertical offset and direct mounting.
- ✓ Same torque capacity & ratio in both, ahead and astern.
- ✓ Easy maintenance & robust design.
- ✓ Precisely ground gear teeth for long life and smooth operating.
- ✓ "Go home" function in an emergency.
- ✓ Various applications: for pleasure, light, medium and continuous duty.
- ✓ Strictly quality control by complying with ISO 9001.

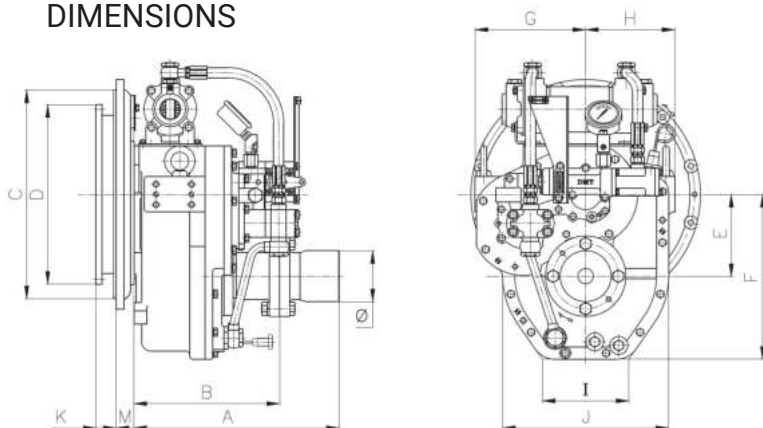


CONTINUOUS DUTY

Model	Reduction	Máx. Torque (Kg.m)	Máx. Input (rpm)	Power/rpm		1800 rpm		2100 rpm		2300 rpm		Dry weight (kg)
				kW	hp	kW	hp	kW	hp	kW	hp	
DMT 140H	1.97	130	2800	0.133	0.178	239	321	280	375	306	411	250
DMT 140H	2.57	130	2800	0.133	0.178	239	321	280	375	306	411	250
DMT 140H	3.03	130	2800	0.133	0.178	239	321	280	375	306	411	250
DMT 140H	3.46	130	2800	0.133	0.178	239	321	280	375	306	411	250



DIMENSIONS



STANDARD EQUIPMENT

- ✓ SAE #3, SAE #2 and SAE #1 bell housings.
- ✓ Engine-matched dual stage coupling.
- ✓ Oil cooler assembly.
- ✓ Mounting brackets (plate type for welding).
- ✓ Propeller shaft flange.
- ✓ Control cable bracket and clamp parts for connection of the push-pull cable.

OPTION

- ✓ Trolling valve for slow speed navigation.
- ✓ Electric shifting valve.

Dimension (mm)									
Model	A	B	E	F	G	H	I	J	Ø
DMT 140H	496	344	195	388	249	197	224	386	140

Model	Housing	Driving ring	C	D	M (1)	M (2)	K
DMT 140H	SAE#1	14"	511	466	75	-	25
DMT 140H	SAE#2	11.5"	447	325	35	-	39
DMT 140H	SAE#3	11.5"	409	325	35	-	39

M(1) : Standard Coupling Dimension, M(2) : High Flexible Coupling Dimension

APPLICATION BELL HOUSING

N°	Housing	Driving ring	K	M		
			Standard	Rubber Block Type	Dual Stage Type	Centa Flexible Type
1	SAE#1	14"	25.4	-	75	-
2	SAE#2	11.5"	39.6	-	35	-
3	SAE#3	11.5"	39.6	-	35	-

DMT 150H

FEATURES

- ✓ Reverse reduction type with hydraulically actuated multi-disc clutches.
- ✓ Cast-iron case, vertical offset and direct mounting.
- ✓ Same torque capacity & ratio in both, ahead and astern.
- ✓ Easy maintenance & robust design.
- ✓ Precisely ground gear teeth for long life and smooth operating.
- ✓ "Go home" function in an emergency.
- ✓ Various applications: for pleasure, light, medium and continuous duty.
- ✓ Strictly quality control by complying with ISO 9001.

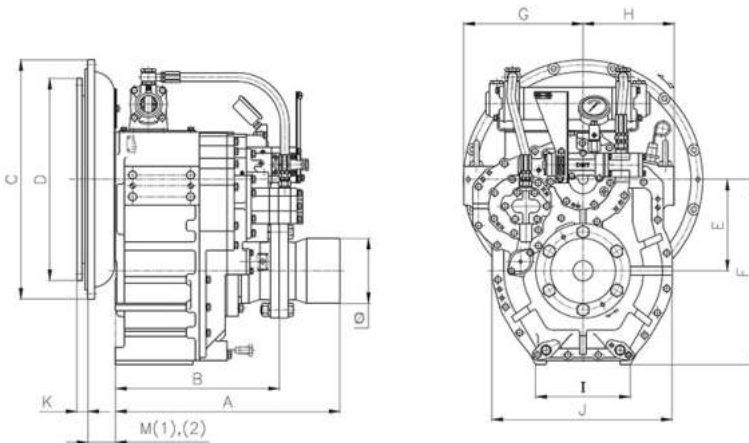


CONTINUOUS DUTY

Model	Reduction	Máx. Torque (Kg.m)	Máx. Input (rpm)	Power/rpm		1800 rpm		2100 rpm		2300 rpm		Dry weight (kg)
				kW	hp	kW	hp	kW	hp	kW	hp	
DMT 150H	1.83	168	2500	0.172	0.231	310	416	361	485	396	531	287
DMT 150H	2.09	168	2500	0.172	0.231	310	416	361	485	396	531	287
DMT 150H	2.51	168	2500	0.172	0.231	310	416	361	485	396	531	287
DMT 150H	3.08	168	2500	0.172	0.231	310	416	361	485	396	531	287
DMT 150H	3.43	168	2500	0.172	0.231	310	416	361	485	396	531	287



DIMENSIONS



STANDARD EQUIPMENT

- ✓ SAE #2 and SAE #1 bell housings.
- ✓ Dual stage input coupling (noise and vibration reduction).
- ✓ Oil cooler assembly.
- ✓ Mounting brackets (plate type for welding).
- ✓ Propeller shaft flange.
- ✓ Control cable bracket and clamp parts for connection of the push-pull cable.

OPTION

- ✓ CENTA flexible coupling.
- ✓ Trolling valve for slow speed navigation.
- ✓ D-Trolling valve.
- ✓ Electric shifting valve.

Dimension (mm)									
Model	A	B	E	F	G	H	I	J	Ø
DMT 150H	518	378	211	428	275	210	218	416	150

Model	Housing	Driving ring	C	D	M (1)	M (2)	K
DMT150H	SAE #1	14"	511	466	64	88	25
DMT150H	SAE#2	11.5"	447	325	46	0	39

APPLICATION BELL HOUSING

M(1) : Standard Coupling Dimension, M(2) : High Flexible Coupling Dimension

N°	Housing	Driving ring	M			
			K	Rubber Block Type	Dual Stage Type	Centa Flexible Type
1	SAE#1	14"	25.4	-	64	88
2	SAE#2	11.5"	39.6	-	46	-

DMTP5100

FEATURES

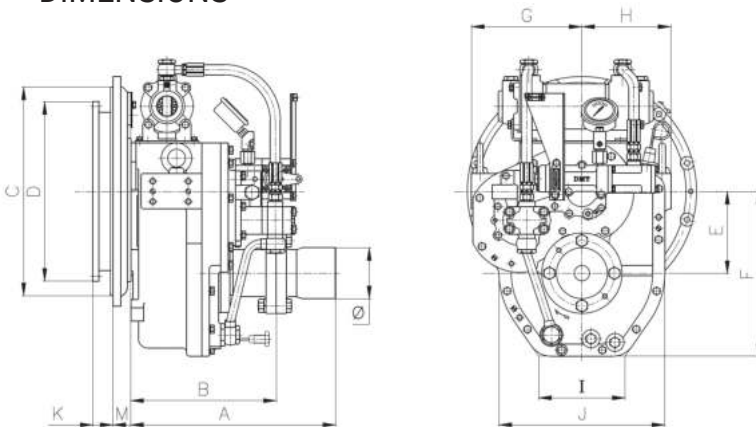
- ✓ Reverse reduction type with hydraulically actuated multi-disc clutches.
- ✓ Cast-iron case, vertical offset and direct mounting.
- ✓ Same torque capacity & ratio in both, ahead and astern.
- ✓ Easy maintenance & robust design.
- ✓ Precisely ground gear teeth for long life and smooth operating.
- ✓ "Go home" function in an emergency.
- ✓ Various applications: for pleasure, light, medium and continuous duty.
- ✓ Strictly quality control by complying with ISO 9001.
- ✓ Power Take Off: Live PTO (58 kgf·m Torque).



CONTINUOUS DUTY

Model	Reduction	Máx. Torque (Kg.m)	Máx. Input (rpm)	Power/rpm		1800 rpm		2100 rpm		2300 rpm		Dry weight (kg)
				kW	hp	kW	hp	kW	hp	kW	hp	
DMTP5100	1.47	168	2500	0.172	0.231	310	416	361	485	396	531	263
DMTP5100	1.76	168	2500	0.172	0.231	310	416	361	485	396	531	263
DMTP5100	1.93	168	2500	0.172	0.231	310	416	361	485	396	531	263
DMTP5100	2.48	150	2500	0.153	0.206	276	370	322	433	353	474	263
DMTP5100	3.08	150	2500	0.153	0.206	276	370	322	433	353	474	263
DMTP5100	3.46	130	2500	0.133	0.178	239	321	280	375	306	411	263

DIMENSIONS



STANDARD EQUIPMENT

- ✓ SAE #3, SAE #2 and SAE #1 bell housings.
- ✓ Dual stage input coupling (noise and vibration reduction).
- ✓ Oil cooler assembly.
- ✓ Mounting brackets (plate type for welding).
- ✓ Propeller shaft flange.
- ✓ Control cable bracket and clamp parts for connection of the push-pull cable.

OPTION

- ✓ Electric shifting valve.

Dimension (mm)										
Model	A	B	E	F	G	H	I	J	Ø	
DMTP5100	531	391	195	390	270	250	206	383	150	

Model	Housing	Driving ring	C	D	M (1)	M (2)	K
DMTP5100	SAE#1	14"	511	466	64	-	25
DMTP5100	SAE#2	11.5"	447	325	46	-	39
DMTP5100	SAE#3	11.5"	409	325	69	-	39

M(1) : Standard Coupling Dimension, M(2) : High Flexible Coupling Dimension

APPLICATION BELL HOUSING

N°	Housing	Driving ring	M			
			K	Rubber Block Type	Dual Stage Type	Centa Flexible Type
1	SAE#1	14"	25.4	-	64	-
2	SAE#2	11.5"	39.6	-	46	-
3	SAE#3	11.5"	39.6	-	69	-

DMT 170HL

FEATURES

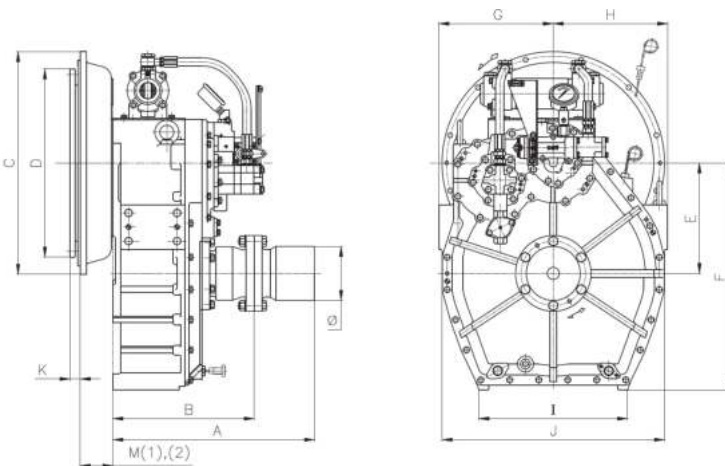
- ✓ Reverse reduction type with hydraulically actuated multi-disc clutches.
- ✓ Cast-iron case, vertical offset and direct mounting.
- ✓ Same torque capacity & ratio in both, ahead and astern.
- ✓ Easy maintenance & robust design.
- ✓ Precisely ground gear teeth for long life and smooth operating.
- ✓ "Go home" function in an emergency.
- ✓ Various applications: for pleasure, light, medium and continuous duty.
- ✓ Strictly quality control by complying with ISO 9001.

CONTINUOUS DUTY

Model	Reduction	Máx. Torque (Kg,m)	Máx. Input (rpm)	Power/rpm		1800 rpm		2100 rpm		2300 rpm		Dry weight (kg)
				kW	hp	kW	hp	kW	hp	kW	hp	
DMT 170HL	4.04	168	2500	0.172	0.231	310	416	361	485	396	531	352
DMT 170HL	4.48	168	2500	0.172	0.231	310	416	361	485	396	531	352



DIMENSIONS



STANDARD EQUIPMENT

- ✓ SAE #2 and SAE #1 bell housings.
- ✓ Dual stage input coupling (noise and vibration reduction).
- ✓ Oil cooler assembly.
- ✓ Mounting brackets (plate type for welding).
- ✓ Propeller shaft flange.
- ✓ Control cable bracket and clamp parts for connection of the push-pull cable.

OPTION

- ✓ CENTA flexible oupling.
- ✓ Trolling valve for slow speed navigation.
- ✓ Electric shifting valve.

Model	Dimension (mm)								
	A	B	E	F	G	H	I	J	Ø
DMT 170HL	580	390	260	521	280	258	316	510	180

Model	Housing	Driving ring	C	D	M (1)	M (2)	K
DMT 170HL	SAE#1	14"	511	466	64	88	25
DMT 170HL	SAE#2	11.5"	447	352	46	-	39

M(1) : Standard Coupling Dimension, M(2) : High Flexible Coupling Dimension

APPLICATION BELL HOUSING

N°	Housing	Driving ring	M			
			K	Rubber Block Type	Dual Stage Type	Centa Flexible Type
1	SAE#1	14"	25.4	-	64	88
2	SAE#2	11.5"	39.6	-	46	-

DMT 180HL

FEATURES

- ✓ Reverse reduction type with hydraulically actuated multi-disc clutches.
- ✓ Cast-iron case, vertical offset and direct mounting.
- ✓ Same torque capacity & ratio in both, ahead and astern.
- ✓ Easy maintenance & robust design.
- ✓ Precisely ground gear teeth for long life and smooth operating.
- ✓ "Go home" function in an emergency.
- ✓ Various applications: for pleasure, light, medium and continuous duty.
- ✓ Strictly quality control by complying with ISO 9001.

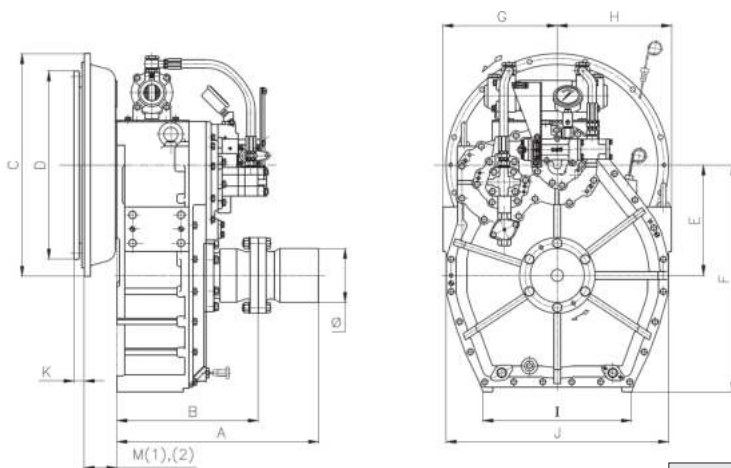


CONTINUOUS DUTY

Model	Reduction	Máx. Torque (Kg.m)	Máx. Input (rpm)	Power/rpm		1800 rpm		2100 rpm		2300 rpm		Dry weight (kg)
				kW	hp	kW	hp	kW	hp	kW	hp	
DMT 180HL	5.15	168	2500	0.172	0.231	310	416	361	485	396	531	475
DMT 180HL	5.96	168	2500	0.172	0.231	310	416	361	485	396	531	475



DIMENSIONS



STANDARD EQUIPMENT

- ✓ SAE #2 and SAE #1 bell housings.
- ✓ Dual stage input coupling (noise and vibration reduction).
- ✓ Oil cooler assembly.
- ✓ Mounting brackets (plate type for welding).
- ✓ Propeller shaft flange.
- ✓ Control cable bracket and clamp parts for connection of the push-pull cable.

OPTION

- ✓ CENTA flexible coupling.
- ✓ Trolling valve for slow speed navigation.
- ✓ Electric shifting valve.

Model	Dimension (mm)								
	A	B	E	F	G	H	I	J	Ø
DMT 180HL	617	427	331	667	337	337	425	645	180

Model	Housing	Driving ring	C	D	M (1)	M (2)	K
DMT 180HL	SAE#1	14"	511	466	64	88	25
DMT 180HL	SAE#2	11.5"	447	352	46	-	39

M(1) : Standard Coupling Dimension, M(2) : High Flexible Coupling Dimension

APPLICATION BELL HOUSING

N°	Housing	Driving ring	M			
			K	Rubber Block Type	Dual Stage Type	Centa Flexible Type
1	SAE#1	14"	25.4	-	64	88
2	SAE#2	11.5"	39.6	-	46	-

DMT 190H

FEATURES

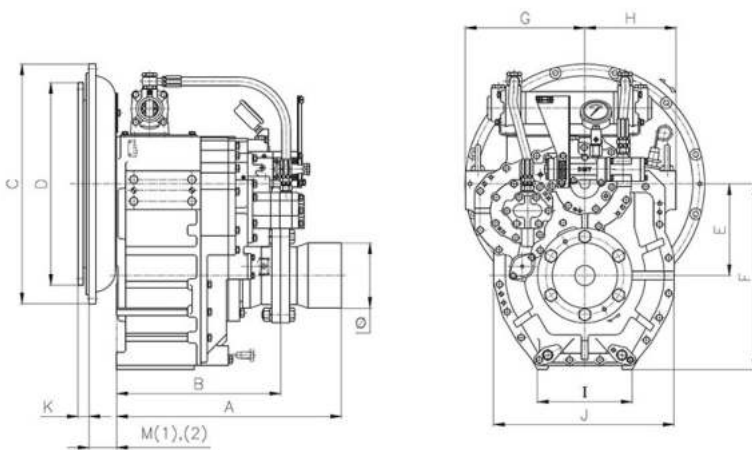
- ✓ Reverse reduction type with hydraulically actuated multi-disc clutches.
- ✓ Cast-iron case, vertical offset and direct mounting.
- ✓ Same torque capacity & ratio in both, ahead and astern.
- ✓ Easy maintenance & robust design.
- ✓ Precisely ground gear teeth for long life and smooth operating.
- ✓ "Go home" function in an emergency.
- ✓ Various applications: for pleasure, light, medium and continuous duty.
- ✓ Strictly quality control by complying with ISO 9001.



CONTINUOUS DUTY

Model	Reduction	Máx. Torque (Kg.m)	Máx. Input (rpm)	Power/rpm		1800 rpm		2100 rpm		2300 rpm		Dry weight (kg)
				kW	hp	kW	hp	kW	hp	kW	hp	
DMT 190H	1.83	180	2500	0.184	0.247	332	445	387	519	425	570	300
DMT 190H	2.09	180	2500	0.184	0.247	332	445	387	519	425	570	300
DMT 190H	2.51	180	2500	0.184	0.247	332	445	387	519	425	570	300
DMT 190H	3.08	180	2500	0.184	0.247	332	445	387	519	425	570	300
DMT 190H	3.43	180	2500	0.184	0.247	332	445	387	519	425	570	300

DIMENSIONS



STANDARD EQUIPMENT

- ✓ SAE #2 and SAE #1 bell housings.
- ✓ Dual stage input coupling (noise and vibration reduction).
- ✓ Oil cooler assembly.
- ✓ Mounting brackets (plate type for welding).
- ✓ Propeller shaft flange.
- ✓ Control cable bracket and clamp parts for connection of the push-pull cable.

OPTION

- ✓ CENTA flexible coupling.
- ✓ Trolling valve for slow speed navigation.
- ✓ D-Trolling valve.
- ✓ Electric shifting valve.

Dimension (mm)									
Model	A	B	E	F	G	H	I	J	Ø
DMT 190H	590	390	211	428	275	210	218	415	185

Model	Housing	Driving ring	C	D	M (1)	M (2)	K
DMT 190H	SAE#1	14"	511	466	64	88	25
DMT 190H	SAE#2	11.5"	447	352	46	0	39

APPLICATION BELL HOUSING

M(1) : Standard Coupling Dimension, M(2) : High Flexible Coupling Dimension

N°	Housing	Driving ring	M			
			K	Rubber Block Type	Dual Stage Type	Centa Flexible Type
1	SAE#1	14"	25.4	-	64	88
2	SAE#2	11.5"	39.6	-	46	-

DMT 190HL

FEATURES

- ✓ Reverse reduction type with hydraulically actuated multi-disc clutches.
- ✓ Cast-iron case, vertical offset and direct mounting.
- ✓ Same torque capacity & ratio in both, ahead and astern.
- ✓ Easy maintenance & robust design.
- ✓ Precisely ground gear teeth for long life and smooth operating.
- ✓ "Go home" function in an emergency.
- ✓ Various applications: for pleasure, light, medium and continuous duty.
- ✓ Strictly quality control by complying with ISO 9001.

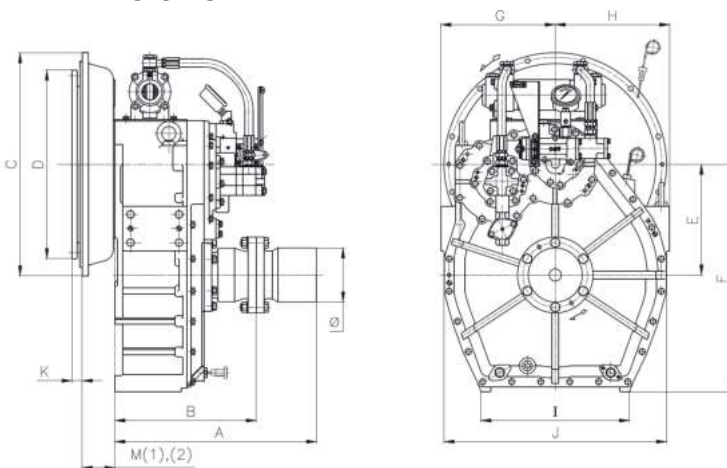


CONTINUOUS DUTY

Model	Reduction	Máx. Torque (Kg.m)	Máx. Input (rpm)	Power/rpm		1800 rpm		2100 rpm		2300 rpm		Dry weight (kg)
				kW	hp	kW	hp	kW	hp	kW	hp	
DMT 190HL	4.04	180	2500	0.184	0.247	332	445	387	519	425	570	370
DMT 190HL	4.48	180	2500	0.184	0.247	332	445	387	519	425	570	370



DIMENSIONS



STANDARD EQUIPMENT

- ✓ SAE #2 and SAE #1 bell housings.
- ✓ Dual stage input coupling (noise and vibration reduction).
- ✓ Oil cooler assembly.
- ✓ Mounting brackets (plate type for welding).
- ✓ Propeller shaft flange.
- ✓ Control cable bracket and clamp parts for connection of the push-pull cable.

OPTION

- ✓ CENTA flexible coupling.
- ✓ Trolling valve for slow speed navigation.
- ✓ Electric shifting valve.

Dimension (mm)									
Model	A	B	E	F	G	H	I	J	Ø
DMT 190HL	625	405	261	530	280	258	307	510	200

Model	Housing	Driving ring	C	D	M (1)	M (2)	K
DMT 190HL	SAE#1	14"	511	466	64	88	25
DMT 190HL	SAE#2	11.5"	447	352	46	-	39

M(1) : Standard Coupling Dimension, M(2) : High Flexible Coupling Dimension

APPLICATION BELL HOUSING

N°	Housing	Driving ring	M			
			K	Rubber Block Type	Dual Stage Type	Centa Flexible Type
1	SAE#1	14"	25.4	-	64	88
2	SAE#2	11.5"	39.6	-	46	-

DMT 240H

FEATURES

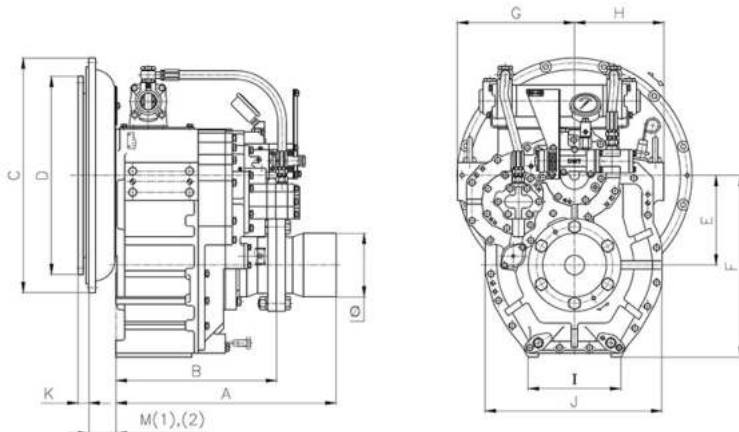
- ✓ Reverse reduction type with hydraulically actuated multi-disc clutches.
- ✓ Cast-iron case, vertical offset and direct mounting.
- ✓ Same torque capacity & ratio in both, ahead and astern.
- ✓ Easy maintenance & robust design.
- ✓ Precisely ground gear teeth for long life and smooth operating.
- ✓ "Go home" function in an emergency.
- ✓ Various applications: for pleasure, light, medium and continuous duty.
- ✓ Strictly quality control by complying with ISO 9001.



CONTINUOUS DUTY

Model	Reduction	Máx. Torque (Kg.m)	Máx. Input (rpm)	Power/rpm		1800 rpm		2100 rpm		2300 rpm		Dry weight (kg)
				kW	hp	kW	hp	kW	hp	kW	hp	
DMT 240H	1.50	218	2500	0.224	0.300	403	541	471	632	516	692	400
DMT 240H	1.97	218	2500	0.224	0.300	403	541	471	632	516	692	400
DMT 240H	2.44	218	2500	0.224	0.300	403	541	471	632	516	692	400
DMT 240H	2.93	218	2500	0.224	0.300	403	541	471	632	516	692	400
DMT 240H	3.40	218	2500	0.224	0.300	403	541	471	632	516	692	400

DIMENSIONS



STANDARD EQUIPMENT

- ✓ SAE #1 and SAE #0 bell housings.
- ✓ Engine-matched Rubber Block type coupling.
- ✓ Oil cooler assembly.
- ✓ Mounting brackets (plate type for welding).
- ✓ Propeller shaft flange.
- ✓ Control cable bracket and clamp parts for connection of the push-pull cable.

OPTION

- ✓ CENTA flexible coupling.
- ✓ Trolling valve for slow speed navigation.
- ✓ D-Trolling valve.
- ✓ Electric shifting valve.

Dimension (mm)									
Model	A	B	E	F	G	H	I	J	Ø
DMT 240H	639	439	227	448	330	240	254	447	185

Model	Housing	Driving ring	C	D	M (1)	M (2)	K
DMT 240H	SAE #0	18"	647	571	81	130	15
DMT 240H	SAE #0	14"	647	466	81	130	25
DMT 240H	SAE #1	14"	511	466	81	122	25

M(1) : Standard Coupling Dimension, M(2) : High Flexible Coupling Dimension

APPLICATION BELL HOUSING

N°	Housing	Driving ring	K	M		
			Standard	Rubber Block Type	Dual Stage Type	Centa Flexible Type
1	SAE#0	18"	15.7	81	-	130.2
2	SAE#0	14"	25.4	-	81	-
3	SAE#0	14"	25.4	81	-	130.2
4	SAE#1	14"	25.4	81	-	122

DMT 260H

FEATURES

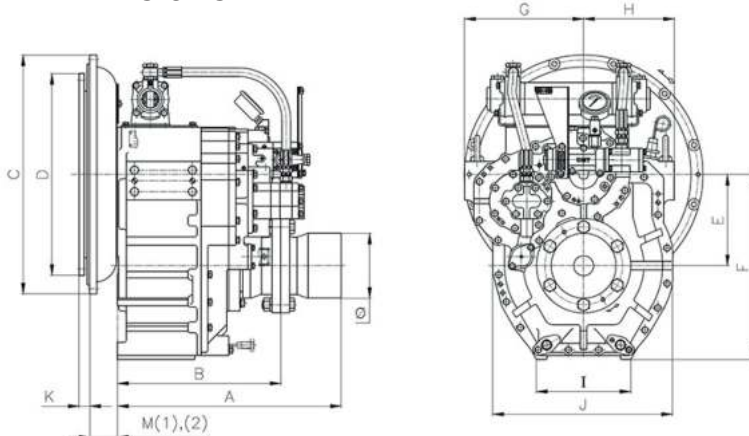
- ✓ Reverse reduction type with hydraulically actuated multi-disc clutches.
- ✓ Cast-iron case, vertical offset and direct mounting.
- ✓ Same torque capacity & ratio in both, ahead and astern.
- ✓ Easy maintenance & robust design.
- ✓ Precisely ground gear teeth for long life and smooth operating.
- ✓ "Go home" function in an emergency.
- ✓ Various applications: for pleasure, light, medium and continuous duty.
- ✓ Strictly quality control by complying with ISO 9001.
- ✓ KR, DNV.



CONTINUOUS DUTY

Model	Reduction	Máx. Torque (Kg.m)	Máx. Input (rpm)	Power/rpm		1800 rpm		2100 rpm		2300 rpm		Dry weight (kg)
				kW	hp	kW	hp	kW	hp	kW	hp	
DMT260H	2.06	258	2500	0.265	0.355	477	640	557	747	610	818	490
DMT260H	2.50	258	2500	0.265	0.355	477	640	557	747	610	818	490
DMT260H	2.92	258	2500	0.265	0.355	477	640	557	747	610	818	490
DMT260H	3.26	258	2500	0.265	0.355	477	640	557	747	610	818	490

DIMENSIONS



STANDARD EQUIPMENT

- ✓ SAE #1 and SAE #0 bell housings.
- ✓ Engine-matched Rubber Block type coupling.
- ✓ Oil cooler assembly.
- ✓ Mounting brackets (plate type for welding).
- ✓ Propeller shaft flange.
- ✓ Control cable bracket and clamp parts for connection of the push-pull cable.

OPTION

- ✓ CENTA flexible coupling.
- ✓ Trolling valve for slow speed navigation.
- ✓ Electric shifting valve.

Dimension (mm)									
Model	A	B	E	F	G	H	I	J	Ø
DMT260H	653	453	254	484	330	235	276	458	190

Model	Housing	Driving ring	C	D	M (1)	M (2)	K
DMT260H	SAE #0	18"	647	571	81	130	15
DMT260H	SAE #0	14"	647	466	81	130	25
DMT260H	SAE #1	14"	511	466	81	122	25

M(1) : Standard Coupling Dimension, M(2) : High Flexible Coupling Dimension

APPLICATION BELL HOUSING

N°	Housing	Driving ring	M			
			K	Rubber Block Type	Dual Stage Type	Centa Flexible Type
1	SAE#0	18"	15.7	81	-	130.2
2	SAE#0	14"	25.4	81	-	130.2
3	SAE#1	14"	25.4	81	-	122

DMT 260HL

FEATURES

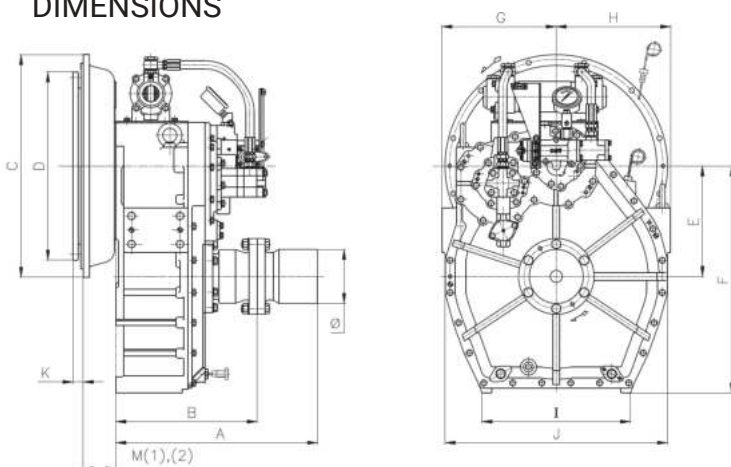
- ✓ Reverse reduction type with hydraulically actuated multi-disc clutches.
- ✓ Cast-iron case, vertical offset and direct mounting.
- ✓ Same torque capacity & ratio in both, ahead and astern.
- ✓ Easy maintenance & robust design.
- ✓ Precisely ground gear teeth for long life and smooth operating.
- ✓ "Go home" function in an emergency.
- ✓ Various applications: for pleasure, light, medium and continuous duty.
- ✓ Strictly quality control by complying with ISO 9001.



CONTINUOUS DUTY

Model	Reduction	Máx. Torque (Kg.m)	Máx. Input (rpm)	Power/rpm		1800 rpm		2100 rpm		2300 rpm		Dry weight (kg)
				kW	hp	kW	hp	kW	hp	kW	hp	
DMT 260HL	3.53	258	2500	0.265	0.355	477	640	557	747	610	818	640
DMT 260HL	4.08	258	2500	0.265	0.355	477	640	557	747	610	818	640
DMT 260HL	4.52	258	2500	0.265	0.355	477	640	557	747	610	818	640
DMT 260HL	5.04	239	2500	0.245	0.328	441	591	514	690	564	756	640

DIMENSIONS



STANDARD EQUIPMENT

- ✓ SAE #1 and SAE #0 bell housings .
- ✓ Engine-matched Rubber Block type coupling .
- ✓ Oil cooler assembly.
- ✓ Mounting brackets (plate type for welding).
- ✓ Propeller shaft flange.
- ✓ Control cable bracket and clamp parts for connection of the push-pull cable.

OPTION

- ✓ CENTA flexible coupling.
- ✓ Trolling valve for slow speed navigation.
- ✓ Electric shifting valve.

Dimension (mm)									
Model	A	B	E	F	G	H	I	J	Ø
DMT 260HL	673	453	331	662	337	337	432	654	200

Model	Housing	Driving ring	C	D	M (1)	M (2)	K
DMT 260HL	SAE #0	18"	647	571	81	130	15
DMT 260HL	SAE #0	14"	647	466	81	130	25
DMT 260HL	SAE #1	14"	511	466	81	122	25

M(1) : Standard Coupling Dimension, M(2) : High Flexible Coupling Dimension

APPLICATION BELL HOUSING

N°	Housing	Driving ring	M			
			K	Rubber Block Type	Dual Stage Type	Centa Flexible Type
1	SAE#0	18"	15.7	81	-	130.2
2	SAE#0	14"	25.4	81	-	130.2
3	SAE#1	14"	25.4	81	-	122

DMTP6500

FEATURES

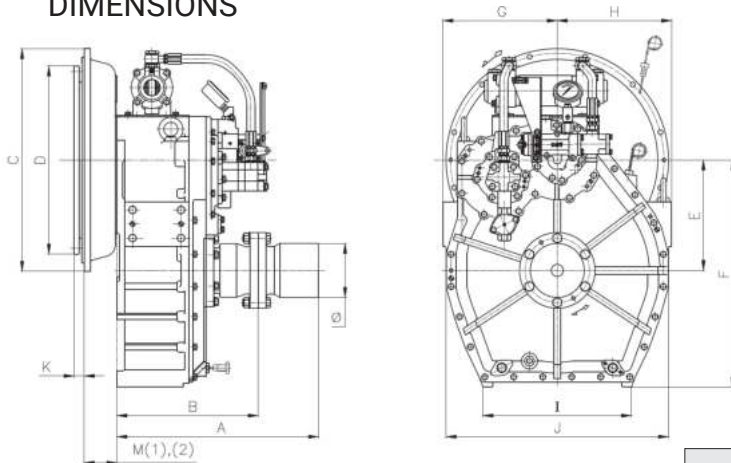
- ✓ Reverse reduction type with hydraulically actuated multi-disc clutches.
- ✓ Cast-iron case, vertical offset and direct mounting.
- ✓ Same torque capacity & ratio in both, ahead and astern.
- ✓ Easy maintenance & robust design.
- ✓ Precisely ground gear teeth for long life and smooth operating.
- ✓ "Go home" function in an emergency.
- ✓ Various applications: for pleasure, light, medium and continuous duty.
- ✓ Strictly quality control by complying with ISO 9001.
- ✓ Power Take Off: Live PTO (58 kgf·m Torque).



CONTINUOUS DUTY

Model	Reduction	Máx. Torque (Kg.m)	Máx. Input (rpm)	Power/rpm		1800 rpm		2100 rpm		2300 rpm		Dry weight (kg)
				kW	hp	kW	hp	kW	hp	kW	hp	
DMTP6500	5.11	258	2800	0.265	0.356	477	640	557	747	610	818	900
DMTP6500	5.62	258	2800	0.265	0.356	477	640	557	747	610	818	900
DMTP6500	5.91	258	2800	0.265	0.356	477	640	557	747	610	818	900
DMTP6500	6.57	238	2800	0.245	0.328	440	590	514	689	563	755	900
DMTP6500	6.95	238	2800	0.245	0.328	440	590	514	689	563	755	900

DIMENSIONS



STANDARD EQUIPMENT

- ✓ SAE #0 and SAE #1 bell housings.
- ✓ Engine-matched Rubber Block type coupling.
- ✓ Oil cooler assembly.
- ✓ Mounting brackets (plate type for welding).
- ✓ Propeller shaft flange.
- ✓ Control cable bracket and clamp parts for connection of the push-pull cable.

OPTION

- ✓ CENTA flexible coupling.
- ✓ Trolling valve for slow speed navigation.
- ✓ Electric shifting valve.

Model	Dimension (mm)								
	A	B	E	F	G	H	I	J	Ø
DMTP6500	777	527	415	842	440	440	448	756	220

Model	Housing	Driving ring	C	D	M (1)	M (2)	K
DMTP6500	SAE #0	18"	647	571	81	130	15
DMTP6500	SAE #0	14"	647	466	81	130	25
DMTP6500	SAE #1	14"	511	466	81	122	25

M(1) : Standard Coupling Dimension, M(2) : High Flexible Coupling Dimension

APPLICATION BELL HOUSING

N°	Housing	Driving ring	K	M		
				Standard	Rubber Block Type	Dual Stage Type
1	SAE#0	18"	15.7	81	-	130.2
2	SAE#0	14"	25.4	81	-	130.2
3	SAE#1	14"	25.4	81	-	122

DMT 280H

FEATURES

- ✓ Reverse reduction type with hydraulically actuated multi-disc clutches.
- ✓ Cast-iron case, vertical offset and direct mounting.
- ✓ Same torque capacity & ratio in both, ahead and astern.
- ✓ Easy maintenance & robust design.
- ✓ Precisely ground gear teeth for long life and smooth operating.
- ✓ "Go home" function in an emergency.
- ✓ Various applications: for pleasure, light, medium and continuous duty.
- ✓ Strictly quality control by complying with ISO 9001.

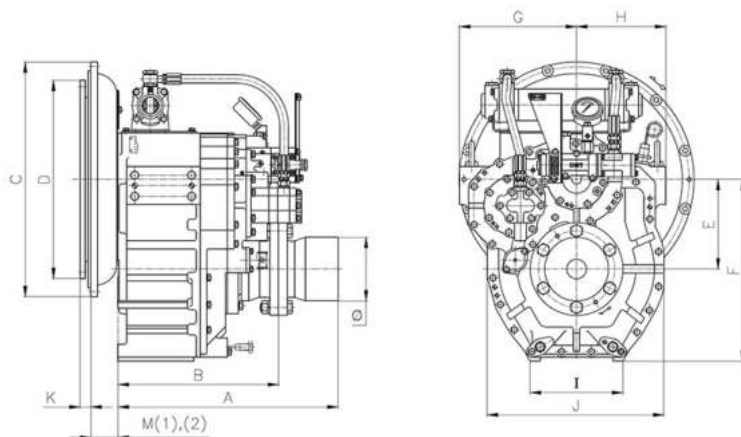


CONTINUOUS DUTY

Model	Reduction	Máx. Torque (Kg.m)	Máx. Input (rpm)	Power/rpm		1800 rpm		2100 rpm		2300 rpm		Dry weight (kg)
				kW	hp	kW	hp	kW	hp	kW	hp	
DMT 280H	2.06	298	2500	0.306	0.410	550	738	642	862	704	944	490
DMT 280H	2.50	298	2500	0.306	0.410	550	738	642	862	704	944	490
DMT 280H	2.92	298	2500	0.306	0.410	550	738	642	862	704	944	490
DMT 280H	3.26	298	2500	0.306	0.410	550	738	642	862	704	944	490



DIMENSIONS



STANDARD EQUIPMENT

- ✓ SAE #1 and SAE #0 bell housings.
- ✓ Engine-matched Rubber Block type coupling.
- ✓ Oil cooler assembly.
- ✓ Mounting brackets (plate type for welding).
- ✓ Propeller shaft flange.
- ✓ Control cable bracket and clamp parts for connection of the push-pull cable.

OPTION

- ✓ CENTA flexible coupling.
- ✓ Trolling valve for slow speed navigation.
- ✓ D-Trolling valve.
- ✓ Electric shifting valve.

Dimension (mm)									
Model	A	B	E	F	G	H	I	J	Ø
DMT 280H	653	453	254	484	330	235	276	458	190

Model	Housing	Driving ring	C	D	M (1)	M (2)	K
DMT 280H	SAE #0	18"	647	571	81	130	15
DMT 280H	SAE #0	14"	647	466	81	130	25
DMT 280H	SAE #1	14"	511	466	81	122	25

M(1) : Standard Coupling Dimension, M(2) : High Flexible Coupling Dimension

APPLICATION BELL HOUSING

N°	Housing	Driving ring	K	M		
			Standard	Rubber Block Type	Dual Stage Type	Centa Flexible Type
1	SAE#0	18"	15.7	81	-	130.2
2	SAE#0	14"	25.4	81	-	130.2
3	SAE#1	14"	25.4	81	-	122

DMT 300HL

FEATURES

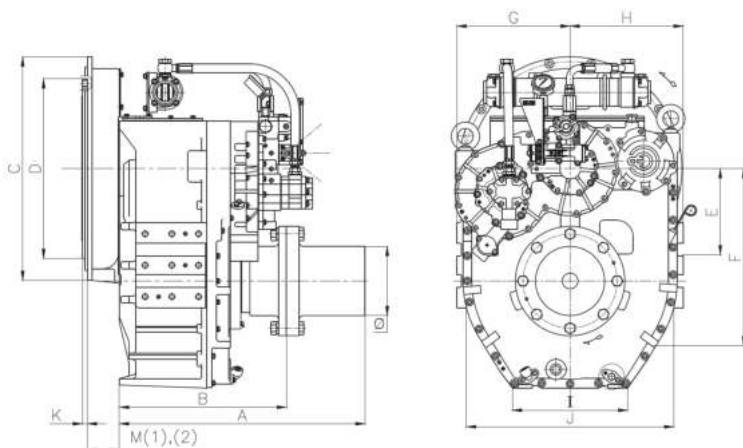
- ✓ Reverse reduction type with hydraulically actuated multi-disc clutches.
- ✓ Cast-iron case, vertical offset and direct mounting.
- ✓ Same torque capacity & ratio in both, ahead and astern.
- ✓ Easy maintenance & robust design.
- ✓ Precisely ground gear teeth for long life and smooth operating.
- ✓ "Go home" function in an emergency.
- ✓ Various applications: for pleasure, light, medium and continuous duty.
- ✓ Strictly quality control by complying with ISO 9001.



CONTINUOUS DUTY

Model	Reduction	Máx. Torque (Kg.m)	Máx. Input (rpm)	Power/rpm		1800 rpm		2100 rpm		2300 rpm		Dry weight (kg)
				kW	hp	kW	hp	kW	hp	kW	hp	
DMT 300HL	2.61	310	2300	0.318	0.426	573	769	668	896	732	982	764
DMT 300HL	3.10	310	2300	0.318	0.426	573	769	668	896	732	982	764
DMT 300HL	3.56	298	2300	0.305	0.410	550	738	642	862	703	943	764
DMT 300HL	4.13	292	2300	0.300	0.402	539	723	630	845	690	926	764
DMT 300HL	4.59	286	2300	0.293	0.394	529	710	617	828	676	907	764

DIMENSIONS



STANDARD EQUIPMENT

- ✓ SAE #1 and SAE #0 bell housings.
- ✓ Engine-matched Rubber Block type coupling.
- ✓ Oil cooler assembly.
- ✓ Mounting brackets (plate type for welding).
- ✓ Propeller shaft flange.
- ✓ Control cable bracket and clamp parts for connection of the push-pull cable.

OPTION

- ✓ CENTA flexible coupling.
- ✓ Trolling valve for slow speed navigation.
- ✓ Electric shifting valve.

Dimension (mm)									
Model	A	B	E	F	G	H	I	J	Ø
DMT 300HL	673	453	319	647	325	330	438	660	200

Model	Housing	Driving ring	C	D	M (1)	M (2)	K
DMT 300HL	SAE #0	18"	647	571	81	130	15
DMT 300HL	SAE #0	14"	647	466	81	130	25
DMT 300HL	SAE #1	14"	511	466	81	122	25

M(1) : Standard Coupling Dimension, M(2) : High Flexible Coupling Dimension

APPLICATION BELL HOUSING

N°	Housing	Driving ring	M			
			K	Rubber Block Type	Dual Stage Type	Centa Flexible Type
1	SAE#0	18"	15.7	81	-	130.2
2	SAE#0	14"	25.4	81	-	130.2
3	SAE#1	14"	25.4	81	-	122

DMT 330DL

FEATURES

- ✓ 4 row bearing is installed on the drive shaft to enhance the shaft stiffness drastically.
- ✓ Reverse reduction type with hydraulically actuated multi-disc clutches.
- ✓ Cast-iron case, vertical offset and direct mounting.
- ✓ Same torque capacity & ratio in both, ahead and astern.
- ✓ Easy maintenance & robust design.
- ✓ Precisely ground gear teeth for long life and smooth operating.
- ✓ "Go home" function in an emergency.
- ✓ Various applications: for pleasure, light, medium and continuous duty.
- ✓ Strictly quality control by complying with ISO 9001.

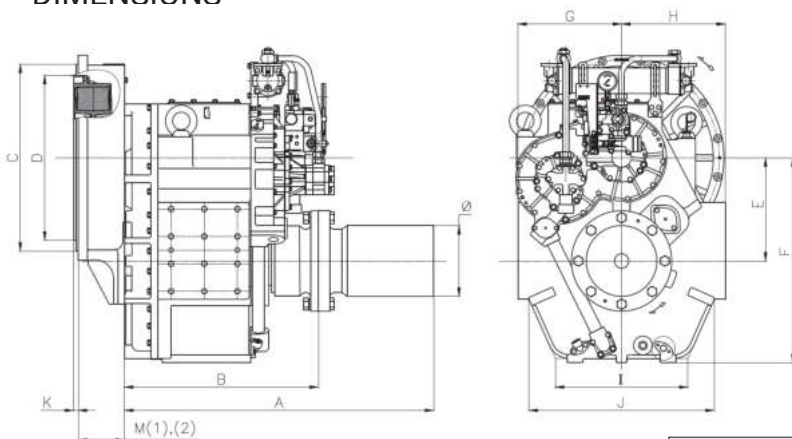


CONTINUOUS DUTY

Model	Reduction	Máx. Torque (Kg,m)	Máx. Input (rpm)	Power/rpm		1800 rpm		2100 rpm		2300 rpm		Dry weight (kg)
				kW	hp	kW	hp	kW	hp	kW	hp	
DMT 330DL	2.61	310	2300	0.318	0.426	573	769	668	896	732	982	768
DMT 330DL	3.10	310	2300	0.318	0.426	573	769	668	896	732	982	768
DMT 330DL	3.56	298	2300	0.305	0.410	550	738	642	862	703	943	768
DMT 330DL	4.13	292	2300	0.300	0.402	539	723	630	845	690	926	768
DMT 330DL	4.59	286	2300	0.293	0.394	529	710	617	828	676	907	768



DIMENSIONS



STANDARD EQUIPMENT

- ✓ SAE #1 and SAE #0 bell housings.
- ✓ CENTA flexible coupling.
- ✓ Oil cooler assembly.
- ✓ Mounting brackets (plate type for welding).
- ✓ Propeller shaft flange.
- ✓ Control cable bracket and clamp parts for connection of the push-pull cable.

OPTION

- ✓ Trolling valve for slow speed navigation.
- ✓ Electric shifting valve.

Model	Dimension (mm)								
	A	B	E	F	G	H	I	J	Ø
DMT 330DL	689	469	319	647	330	330	428	570	220

Model	Housing	Driving ring	C	D	M (1)	M (2)	K
DMT 330DL	SAE #0	18"	647	571	122	130	15
DMT 330DL	SAE #1	14"	511	467	122	130	25

M(1) : Standard Coupling Dimension, M(2) : High Flexible Coupling Dimension

APPLICATION BELL HOUSING

N°	Housing	Driving ring	M			
			K	Rubber Block Type	Dual Stage Type	Centa Flexible Type
1	SAE#0	18"	15.7	81	-	130.2
2	SAE#0	14"	25.4	81	-	130.2
3	SAE#1	14"	25.4	81	-	122

DMT 400H

FEATURES

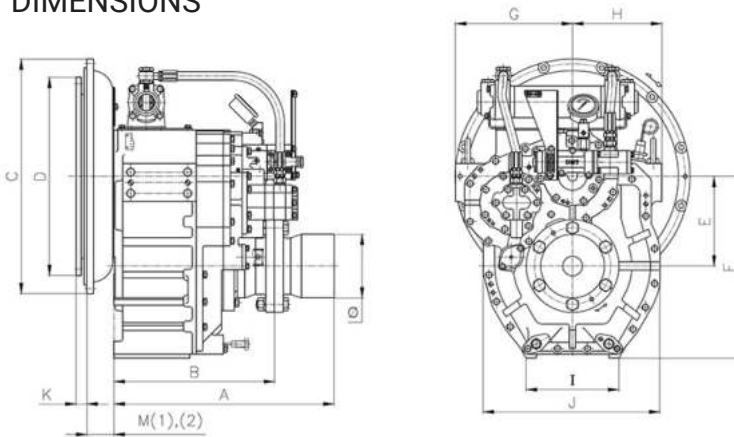
- ✓ Vertical offset, direct mount marine transmission.
- ✓ Available for Pleasure, Light, Medium and Continuous Duty applications.
- ✓ Power Take Off: Live PTO (58 kgf-m Torque).
- ✓ Case hardened and precisely ground gear teeth for long life and smooth running.
- ✓ Output shaft thrust bearing designed to take maximum propeller thrust astern and ahead.
- ✓ B/W connection integrated with casing.
- ✓ Smooth and reliable hydraulic shifting with control lever for attachment of push-pull cable.
- ✓ Suitable for twin engine installations.
- ✓ Same torque capacity & ratio in both, ahead and astern.
- ✓ Replaceable oil filter cartridge.



CONTINUOUS DUTY

Model	Reduction	Máx. Torque (Kg.m)	Máx. Input (rpm)	Power/rpm		1800 rpm		2100 rpm		2300 rpm		Dry weight (kg)
				kW	hp	kW	hp	kW	hp	kW	hp	
DMT 400H	1.43	453	2300	0.465	0.624	838	1124	978	1311	1070	1436	660
DMT 400H	1.72	453	2300	0.465	0.624	838	1124	978	1311	1070	1436	660
DMT 400H	2.03	453	2300	0.465	0.624	838	1124	978	1311	1070	1436	660
DMT 400H	2.46	397	2300	0.407	0.546	734	984	856	1148	937	1257	660
DMT 400H	2.75	323	2300	0.331	0.444	596	799	696	934	762	1022	660

DIMENSIONS



STANDARD EQUIPMENT

- ✓ SAE #0 and SAE #1 bell housings.
- ✓ Engine-matched Rubber Block type coupling.
- ✓ Oil cooler assembly.
- ✓ Mounting brackets (plate type for welding).
- ✓ Propeller shaft flange.
- ✓ Control cable bracket and clamp parts for connection of the push-pull cable.

OPTION

- ✓ CENTA flexible coupling.
- ✓ Trolling valve for slow speed navigation.
- ✓ Electric shifting valve.

Dimension (mm)									
Model	A	B	E	F	G	H	I	J	Ø
DMT 400H	705	505	235	450	360	360	266	436	190

Model	Housing	Driving ring	C	D	M (1)	M (2)	K
DMT 400H	SAE #0	18"	647	571	102	130	15
DMT 400H	SAE #0	14"	647	466	102	130	25
DMT 400H	SAE #1	14"	511	466	102	122	25

M(1) : Standard Coupling Dimension, M(2) : High Flexible Coupling Dimension

APPLICATION BELL HOUSING

N°	Housing	Driving ring	M			
			K	Rubber Block Type	Dual Stage Type	Centa Flexible Type
1	SAE#0	18"	15.7	102	-	130.2
2	SAE#0	14"	25.4	102	-	130.2
3	SAE#1	14"	25.4	102	-	122

DMT 430H

FEATURES

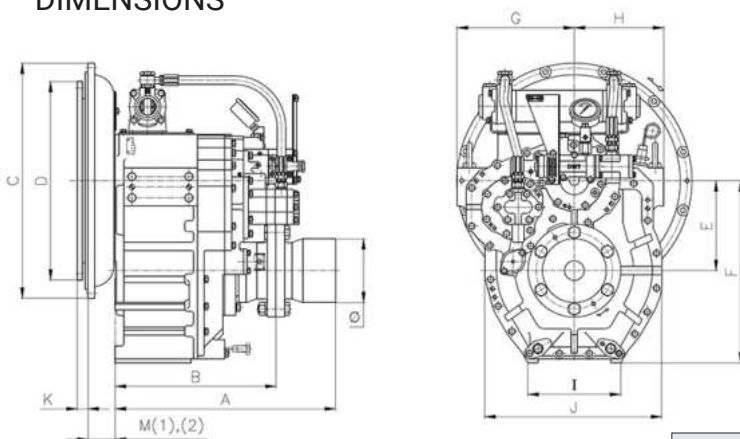
- ✓ Vertical offset, direct mount marine transmission.
- ✓ Available for Pleasure, Light, Medium and Continuous Duty applications.
- ✓ Case hardened and precisely ground gear teeth for long life and smooth running.
- ✓ Output shaft thrust bearing designed to take maximum propeller thrust astern and ahead.
- ✓ B/W connection integrated with casing.
- ✓ Smooth and reliable hydraulic shifting with control lever for attachment of push-pull cable.
- ✓ Suitable for twin engine installations.
- ✓ Same torque capacity & ratio in both, ahead and astern.
- ✓ Replaceable oil filter cartridge.



CONTINUOUS DUTY

Model	Reduction	Máx. Torque (Kg.m)	Máx. Input (rpm)	Power/rpm		1800 rpm		2100 rpm		2300 rpm		Dry weight (kg)
				kW	hp	kW	hp	kW	hp	kW	hp	
DMT 430H	2.05	453	2300	0.465	0.623	837	1123	977	1310	1070	1435	694
DMT 430H	2.43	453	2300	0.465	0.623	837	1123	977	1310	1070	1435	694
DMT 430H	2.93	453	2300	0.465	0.623	837	1123	977	1310	1070	1435	694
DMT 430H	3.23	430	2300	0.442	0.592	795	1066	927	1243	1016	1363	694
DMT 430H	3.40	408	2300	0.419	0.562	754	1011	880	1180	964	1293	694

DIMENSIONS



STANDARD EQUIPMENT

- ✓ SAE #0 and SAE #1 bell housings.
- ✓ CENTA flexible coupling.
- ✓ Oil cooler assembly.
- ✓ Mounting brackets (plate type for welding).
- ✓ Propeller shaft flange.
- ✓ Control cable bracket and clamp parts for connection of the push-pull cable.

OPTION

- ✓ Trolling valve for slow speed navigation.
- ✓ Electric shifting valve.

Dimension (mm)									
Model	A	B	E	F	G	H	I	J	Ø
DMT 430H	720	520	285	562	375	281	333	525	185

Model	Housing	Driving ring	C	D	M (1)	M (2)	K
DMT 430H	SAE #0	18"	647	571	-	130	15
DMT 430H	SAE #1	14"	511	466	-	122	25

M(1) : Standard Coupling Dimension, M(2) : High Flexible Coupling Dimension

APPLICATION BELL HOUSING

N°	Housing	Driving ring	M			
			K	Rubber Block Type	Dual Stage Type	Centa Flexible Type
1	SAE#0	18"	15.7	-	-	130.2
2	SAE#1	14"	25.4	-	-	122

DMT 460HL

FEATURES

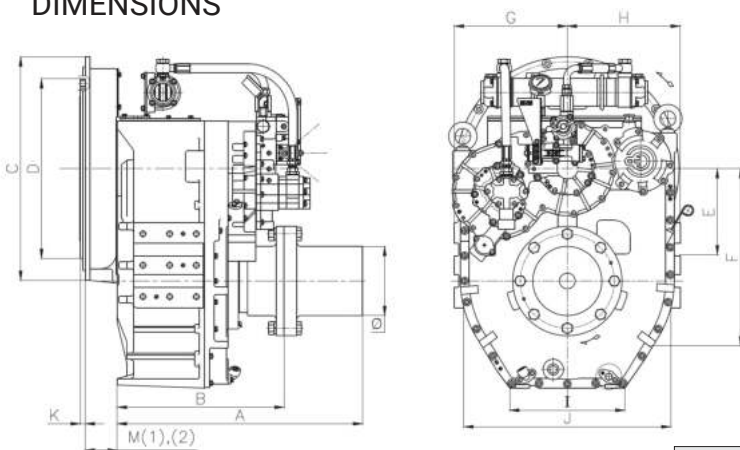
- ✓ Vertical offset, direct mount marine transmission.
- ✓ Available for Pleasure, Light, Medium and Continuous Duty applications.
- ✓ Case hardened and precisely ground gear teeth for long life and smooth running.
- ✓ Output shaft thrust bearing designed to take maximum propeller thrust astern and ahead.
- ✓ B/W connection integrated with casing.
- ✓ Smooth and reliable hydraulic shifting with control lever for attachment of push-pull cable.
- ✓ Suitable for twin engine installations.
- ✓ Same torque capacity & ratio in both, ahead and astern.
- ✓ Replaceable oil filter cartridge.



CONTINUOUS DUTY

Model	Reduction	Máx. Torque (Kg,m)	Máx. Input (rpm)	Power/rpm		1800 rpm		2100 rpm		2300 rpm		Dry weight (kg)
				kW	hp	kW	hp	kW	hp	kW	hp	
DMT 460HL	3.02	453	2300	0.465	0.632	837	1123	976	1309	1070	1435	955
DMT 460HL	3.28	453	2300	0.465	0.632	837	1123	976	1309	1070	1435	955
DMT 460HL	3.56	453	2300	0.465	0.632	837	1123	976	1309	1070	1435	955
DMT 460HL	4.07	453	2300	0.465	0.632	837	1123	976	1309	1070	1435	955
DMT 460HL	4.48	409	2300	0.420	0.563	756	1013	881	1182	966	1296	955
DMT 460HL	4.95	374	2300	0.383	0.514	690	926	806	1081	883	1184	955

DIMENSIONS



STANDARD EQUIPMENT

- ✓ SAE #0 and SAE #1 bell housings.
- ✓ Engine-matched Rubber Block type coupling.
- ✓ Oil cooler assembly.
- ✓ Mounting brackets (plate type for welding).
- ✓ Propeller shaft flange.
- ✓ Control cable bracket and clamp parts for connection of the push-pull cable.

OPTION

- ✓ CENTA flexible coupling.
- ✓ Trolling valve for slow speed navigation.
- ✓ Electric shifting valve.

Model	Dimension (mm)								
	A	B	E	F	G	H	I	J	Ø
DMT 460HL	781	531	357	698	360	360	377	659	220

Model	Housing	Driving ring	C	D	M (1)	M (2)	K
DMT 460HL	SAE #0	18"	647	571	102	130	15
DMT 460HL	SAE #0	14"	647	466	102	130	25
DMT 460HL	SAE #1	14"	511	466	102	122	25

APPLICATION BELL HOUSING

M(1) : Standard Coupling Dimension, M(2) : High Flexible Coupling Dimension

N°	Housing	Driving ring	M			
			K	Rubber Block Type	Dual Stage Type	Centa Flexible Type
1	SAE#0	18"	15.7	102	-	130.2
2	SAE#0	14"	25.4	102	-	130.2
3	SAE#1	14"	25.4	102	-	122

DMT 550H

FEATURES

- ✓ Vertical offset, direct mount marine transmission.
- ✓ Available for Pleasure, Light, Medium and Continuous Duty applications.
- ✓ Case hardened and precisely ground gear teeth for long life and smooth running.
- ✓ Output shaft thrust bearing designed to take maximum propeller thrust astern and ahead.
- ✓ B/W connection integrated with casing.
- ✓ Smooth and reliable hydraulic shifting with control lever for attachment of push-pull cable.
- ✓ Suitable for twin engine installations.
- ✓ Same torque capacity & ratio in both, ahead and astern.
- ✓ Replaceable oil filter cartridge.

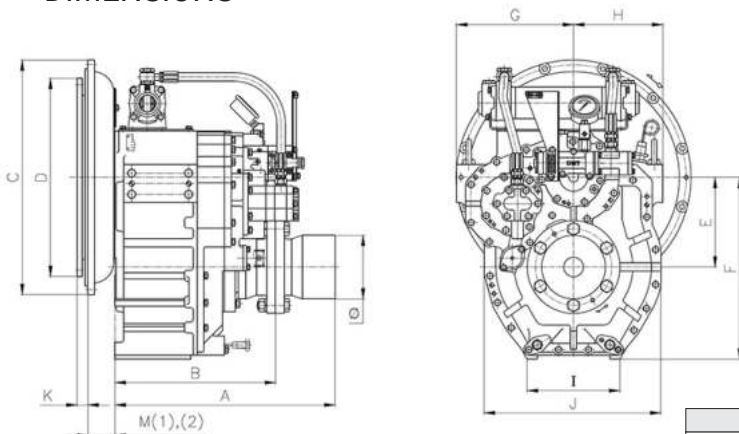


CONTINUOUS DUTY

Model	Reduction	Máx. Torque (Kg.m)	Máx. Input (rpm)	Power/rpm		1800 rpm		2100 rpm		2300 rpm		Dry weight (kg)
				kW	hp	kW	hp	kW	hp	kW	hp	
DMT 550H	1.43	551	2300	0,565	0,758	1018	1366	1188	1593	1301	1745	715
DMT 550H	1.64	551	2300	0,565	0,758	1018	1366	1188	1593	1301	1745	715
DMT 550H	1.81	551	2300	0,565	0,758	1018	1366	1188	1593	1301	1745	715
DMT 550H	2.03	551	2300	0,565	0,758	1018	1366	1188	1593	1301	1745	715
DMT 550H	2.33	537	2300	0,551	0,739	992	1331	1158	1553	1268	1701	715
DMT 550H	2.60	485	2300	0,498	0,667	896	1202	1045	1402	1145	1535	715
DMT 550H	2.91	404	2300	0,415	0,557	748	1003	872	1169	956	1282	715



DIMENSIONS



STANDARD EQUIPMENT

- ✓ SAE #0 and SAE #1 bell housings.
- ✓ CENTA flexible coupling.
- ✓ Oil cooler assembly.
- ✓ Mounting brackets (plate type for welding).
- ✓ Propeller shaft flange.
- ✓ Control cable bracket and clamp parts for connection of the push-pull cable.

OPTION

- ✓ Trolling valve for slow speed navigation.
- ✓ Electric shifting valve.

Model	Dimension (mm)								
	A	B	E	F	G	H	I	J	Ø
DMT 550H	771,5	551,7	235,9	464	360	275	282	449	190

Model	Housing	Driving ring	C	D	M (1)	M (2)	K
DMT 550H	SAE #0	18"	647	571	-	160	15
DMT 550H	SAE #0	14"	647	466	-	-	25
DMT 550H	SAE #1	14"	511	466	-	122	25

M(1) : Standard Coupling Dimension, M(2) : High Flexible Coupling Dimension

APPLICATION BELL HOUSING

N°	Housing	Driving ring	M			
			K	Rubber Block Type	Dual Stage Type	Centa Flexible Type
1	SAE #0	18"	15.7	-	-	130.2
2	SAE #0	14"	25.4	-	-	130.2
3	SAE #1	14"	25.4	-	-	122

DMT 561HL

FEATURES

- ✓ Reverse reduction type with hydraulically actuated multi-disc clutches.
- ✓ Suitable for high performance applications in workboats, fishingboats, commercial, tugboats, inland workboats, etc.
- ✓ Robust design also withstands continuous duty in workboats applications.
- ✓ Fully works tested, reliable and simple to install.
- ✓ Design, manufacture and quality control standards comply with ISO 9001.
- ✓ Compatible with all types of engines and propulsion systems, including waterjets and surface-piercing propellers.

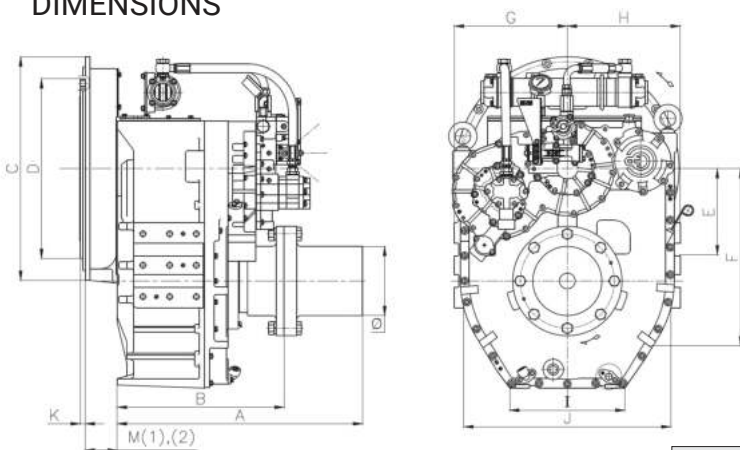


CONTINUOUS DUTY

Model	Reduction	Máx. Torque (Kg.m)	Máx. Input (rpm)	Power/rpm		1800 rpm		2100 rpm		2300 rpm		Dry weight (kg)
				kW	hp	kW	hp	kW	hp	kW	hp	
DMT 561HL	3.02	550	2300	0.564	0.757	1017	1364	1186	1590	1299	1742	977
DMT 561HL	3.28	550	2300	0.564	0.757	1017	1364	1186	1590	1299	1742	977
DMT 561HL	3.56	550	2300	0.564	0.757	1017	1364	1186	1590	1299	1742	977
DMT 561HL	4.07	550	2300	0.564	0.757	1017	1364	1186	1590	1299	1742	977
DMT 561HL	4.48	526	2300	0.540	0.723	972	1303	1134	1520	1242	1665	977
DMT 561HL	4.95	435	2300	0.446	0.599	805	1080	939	1259	1028	1379	977



DIMENSIONS



STANDARD EQUIPMENT

- ✓ SAE #0 and SAE #1 bell housings.
- ✓ CENTA flexible coupling.
- ✓ Oil cooler assembly.
- ✓ Mounting brackets (plate type for welding).
- ✓ Propeller shaft flange.
- ✓ Control cable bracket and clamp parts for connection of the push-pull cable.

OPTION

- ✓ Trolling valve for slow speed navigation.
- ✓ Electric shifting valve.

Model	Dimension (mm)								
	A	B	E	F	G	H	I	J	Ø
DMT 561HL	801,6	551,6	357,5	698	360	360	377	659	220

Model	Housing	Driving ring	C	D	M (1)	M (2)	K
DMT 561HL	SAE #0	18"	647	571	-	160	15
DMT 561HL	SAE #0	14"	647	466	-	-	25
DMT 561HL	SAE #1	14"	511	466	-	122	25

M(1) : Standard Coupling Dimension, M(2) : High Flexible Coupling Dimension

APPLICATION BELL HOUSING

N°	Housing	Driving ring	M			
			K	Rubber Block Type	Dual Stage Type	Centa Flexible Type
1	SAE#0	18"	15.7	102	-	160.2
2	SAE#0	14"	25.4	102	-	-
3	SAE#1	14"	25.4	102	-	122

DMT 600DL

FEATURES

- ✓ Reverse reduction type with hydraulically actuated multi-disc clutches.
- ✓ Suitable for high performance applications in workboats, fishingboats, commercial, tugboats, inland workboats, etc.
- ✓ Robust design also withstands continuous duty in workboats applications.
- ✓ Fully works tested, reliable and simple to install.
- ✓ Design, manufacture and quality control standards comply with ISO 9001.
- ✓ Compatible with all types of engines and propulsion systems, including waterjets and surface-piercing propellers.

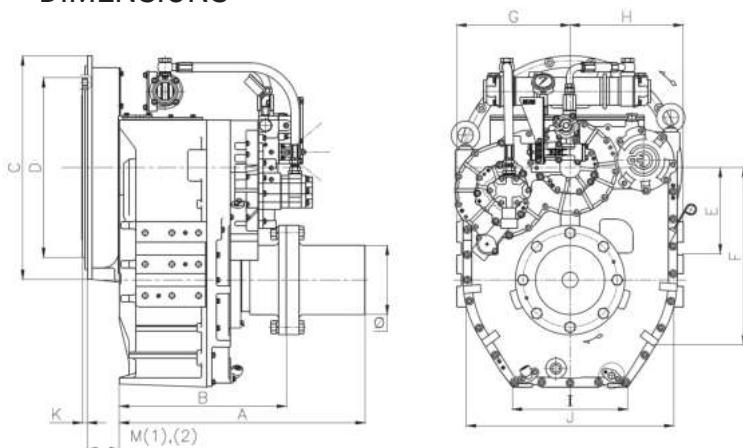


CONTINUOUS DUTY

Model	Reduction	Máx. Torque (Kg.m)	Máx. Input (rpm)	Power/rpm		1800 rpm		2100 rpm		2300 rpm		Dry weight (kg)
				kW	hp	kW	hp	kW	hp	kW	hp	
DMT 600DL	3.02	625	2200	0.641	0.860	1155	1549	1348	1807	-	-	1209
DMT 600DL	3.28	625	2200	0.641	0.860	1155	1549	1348	1807	-	-	1209
DMT 600DL	3.56	625	2200	0.641	0.860	1155	1549	1348	1807	-	-	1209
DMT 600DL	4.07	625	2200	0.641	0.860	1155	1549	1348	1807	-	-	1209
DMT 600DL	4.48	591	2200	0.606	0.814	1092	1465	1275	1710	-	-	1209
DMT 600DL	4.95	541	2200	0.555	0.745	1001	1342	1167	1566	-	-	1209



DIMENSIONS



STANDARD EQUIPMENT

- ✓ SAE #0.
- ✓ CENTA flexible coupling.
- ✓ Oil cooler assembly.
- ✓ Mounting brackets (plate type for welding).
- ✓ Propeller shaft flange.
- ✓ Control cable bracket and clamp parts for connection of the push-pull cable.

OPTION

- ✓ Electric shifting valve.

Dimension (mm)									
Model	A	B	E	F	G	H	I	J	Ø
DMT 600DL	921	671	357	710	360	360	460	642	245

Model	Housing	Driving ring	C	D	M (1)	M (2)	K
DMT 600DL	SAE #0	18"	647	571	-	160	15

M(1) : Standard Coupling Dimension, M(2) : High Flexible Coupling Dimension

APPLICATION BELL HOUSING

N°	Housing	Driving ring	K	M		
			Standard	Rubber Block Type	Dual Stage Type	Centa Flexible Type
1	SAE#0	18"	-	-	-	160.2

SERVICE

Competence 24/7
Immediate assistance whenever and
wherever you might need.





AROUND THE CLOCK

Whenever and wherever you might need assistance, we can provide a qualified technician within 24 hours.

With the extensive national coverage from STORM Group, we are always prepared to assist you.

Our Main Office in Düsseldorf and our service network throughout Germany ensure prompt support when you need it.



24/7

Prinzenallee 7, 40549 Düsseldorf, Germany
E-mail: info@eilers-schiffsmaschinen.de **Web:** www.eilers-schiffsmaschinen.de
Phone: +49 211 52391 358

Authorized Dealer

* The contents described in this catalogue may be modified without previous notice for performance improvement